

# ROCKET™

## PK-PRX-3M™ WEAPON MOUNT ILLUMINATOR



### Specification

#### Weapon Mount Illuminator - Rocket

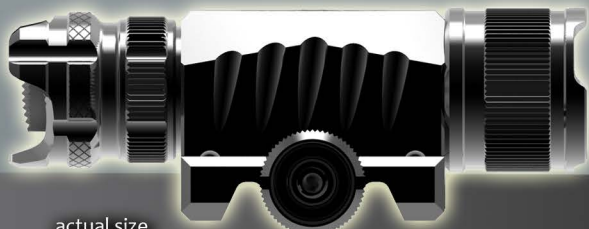
Model : PK-PRX-3M (Black)

- Output / Runtime - White LED Light
- High / 520 Lumens 50 minutes, Medium / 200 Lumens 4 hours, Low / 12 Lumens 42 hours (Flashing, SOS Optional)
- Switching : Low-Med-High Pushbutton Switch. 10 seconds auto reset back to Low mode. Conductors : Silver - Nickel finish
- LED : Cree XML-U2 chip - Intense clean White light / 6,200°K. chromaticity color
- Optic : Aerospace high grade aluminum 6061 Series CNC machined Reflector - micro mirror finish
- Window : borofloat glass - grinded - tempered - anti reflective (AR) coated both sides
- Body Structure : Aerospace high grade aluminum 6061 Series, CNC mill Machined
- Surface Treatment : Mil spec hard anodized type III - Matte Black,
- Waterproof : Double O-rings & gasket sealed - IPX7 / 0.5M (ANSI/NEMA FLI, 2009 Standard)
- Impact safety : 2M
- Bezel Diameter : 1.00 inches / 25.5 mm
- Flashlight Length : 3.5 inches / 90 mm
- Weight w/o Batteries : 3.4 ounces / 95 grams
- Fuel : 1 Lithium Manganese Dioxide Cylindrical CR123A (DL123A) cell - not included  
Rechargeable RCRI23 battery works optimally

### Features

- Virtually indestructible super efficient recoil-proof LED emitter regulated to MAXIMUM light output
- Mounts securely to any MIL-STD-1913 Picatinny rail via an Pat Pend spring-loaded intergral thumbscrew clamp
- Ultra-Compact design minimizes addedweight, frees up rail space for other accessories
- Precision mill machined & micro mirror finished aluminum reflector creates very focused beam distance, and thermal dissipation
- High - strength aerospace grade aluminum CNC mill machined structure designed to claim the title of ultimate tactical illumination tool
- All surfaces are treated with Mil-Spec Type III hard-anodize coating for extreme ultra durability
- Borofloat glass grinded, tempered window resists impact and thermal shock, and AR coated for maximizes light transmission
- Press Click for constant-on High, press little pressure for momentary light
- Tailcap switch disables function - twisting out tailcap to prevent accidental activation
- Patent-pending advanced ergonomic body/bezel design with spring loaded Picatingy Rail mount provides a rock solid secure mount in unique spring-loaded most simple method
- Patent-pending unique style and ultra-compact structure design for light weight and grips in functions with sleek style

**\* Warning! This light gets HOT very fast.  
Not recommended for constant ON use.**



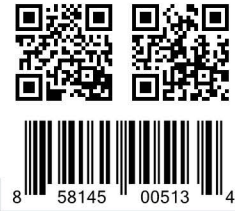
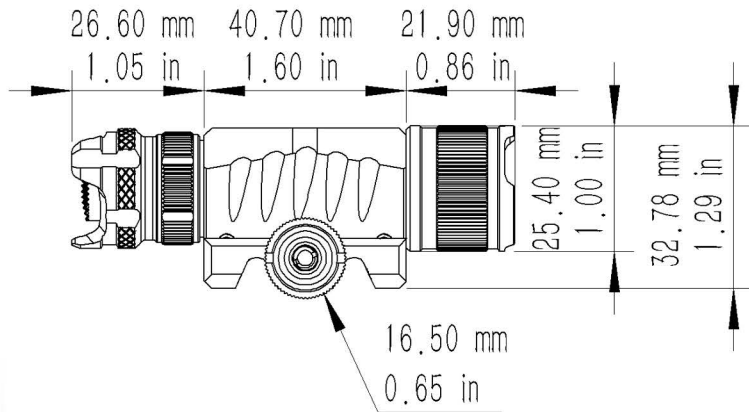
actual size

This doc is prepared for A4 size paper  
The information in this document is subject to change without notice.

**DESIGN LAB®**  
CULTIVATED EXPECTATIONS  
www.pkdesignlab.com

# ROCKET™

## PK-PRX-3M™ WEAPON MOUNT ILLUMINATOR



**Package**  
**Model : PK-PRX-3M (Black)**  
**Brown Box with clear see-thru window**  
**White marking & Black color UPC code label**  
**Width : 2.7" / 70.0 mm**  
**Highth : 1.9" / 48.7 mm**  
**Length : 5.9" / 150.0 mm**  
**Weight : 3.4 Ounce / 95 gram**

**Warranty**  
**PK Design Lab offers a One-Year warranty on products that are faulty, damaged or fail due to normal usage. Products that are in any way altered and/or disassembled by the consumer, other than by battery removal and/or exchange, or used in a manner that is beyond reasonable or the intended use are not covered by warranty.**

**MaintMaintenance**  
**Unscrew the bezel (head) from the body and insert new battery (battery not included)**  
**Twist out bezel long enough to prevent accidental activation**  
**Clean the threads and oil the O-ring to maintain fine operations**  
**Recommend Energizer® CR123A Lithium Battery**  
**For repair or replacement contact your dealer**  
**info@pkdesignlab.com / US 1-213-805-5511**

**Warning**  
**This product produce substantial heat during operation, Do not leave activated flashlight unattended**  
**Lithium battery can explode or cause burns if disassembled, shorted, recharged, exposed to water, fire, or high temperature. Do not place loose batteries in pocket, purse, or other container containing metal objects, mix with used or other battery types, or store with hazardous, or combustible materials. Store in cool, dry, ventilated area.**

Battery NOT included



**\* Warning! This light gets HOT very fast. Not recommended for constant ON use.**



**DESIGN LAB®**  
 CULTIVATED EXPECTATIONS  
[www.pkdesignlab.com](http://www.pkdesignlab.com)